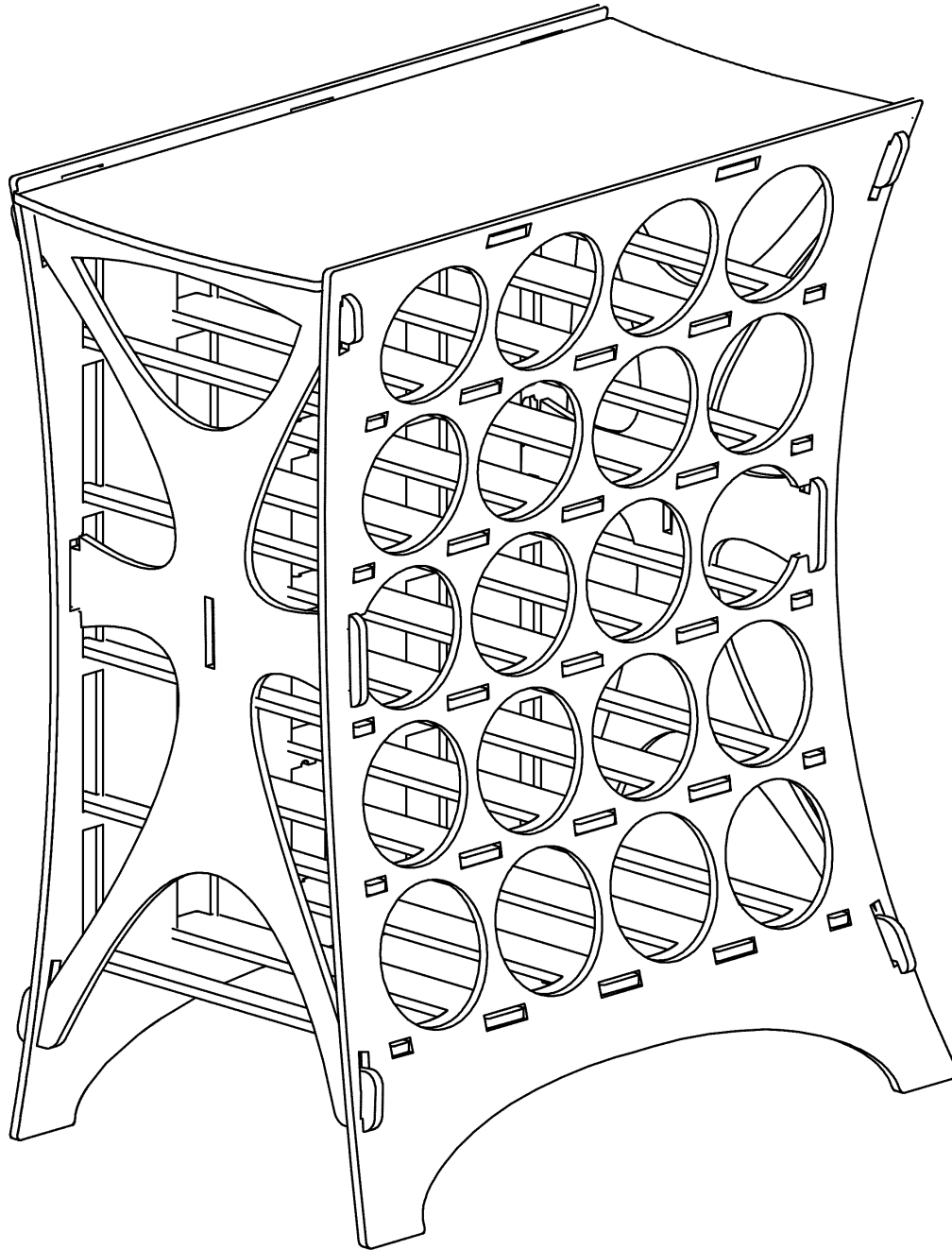
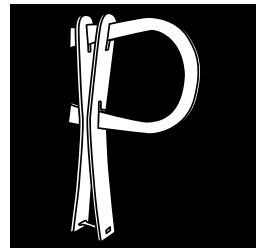


Plydea® WineHold Wine Rack

assembly instructions



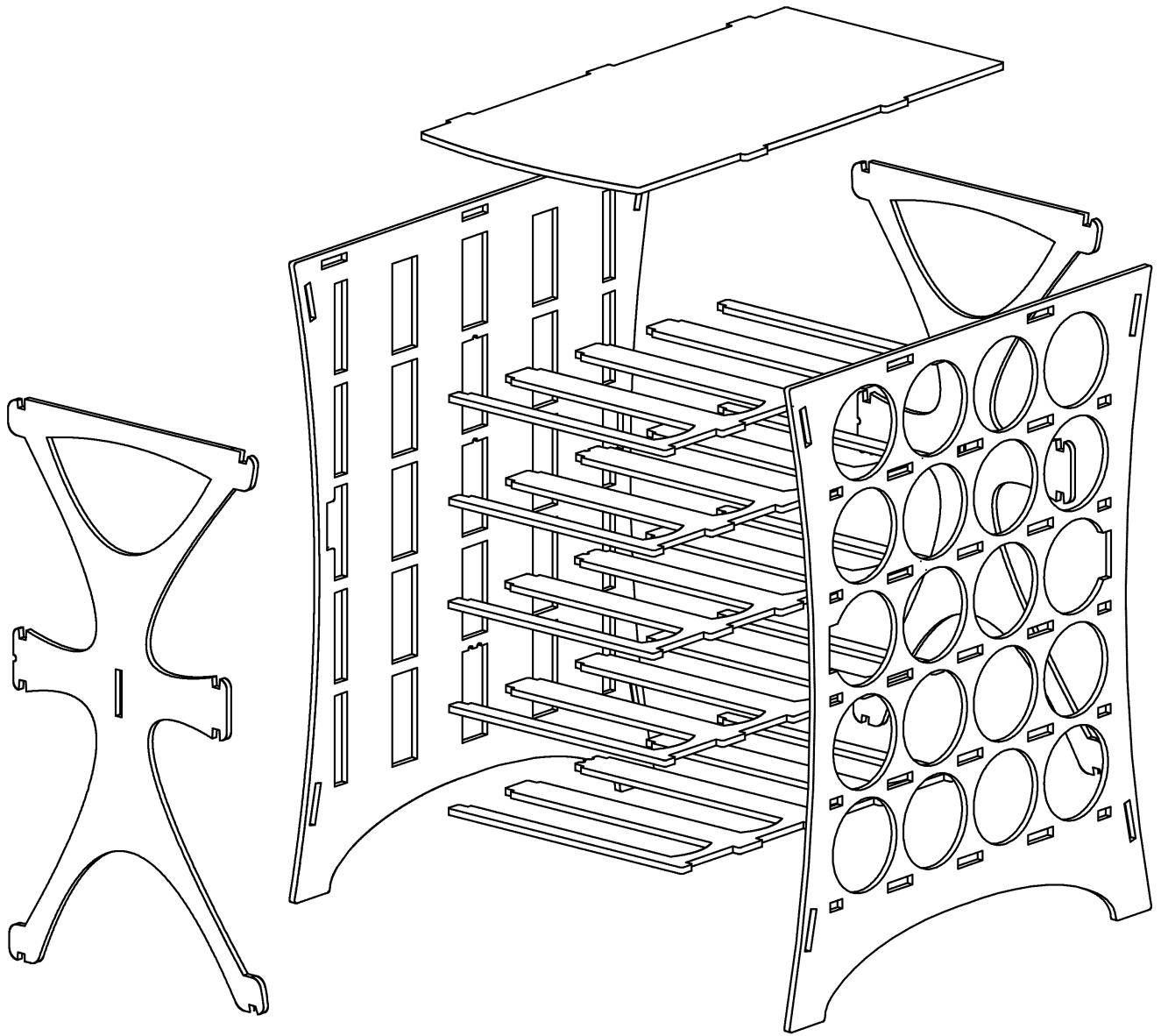
function *is* form



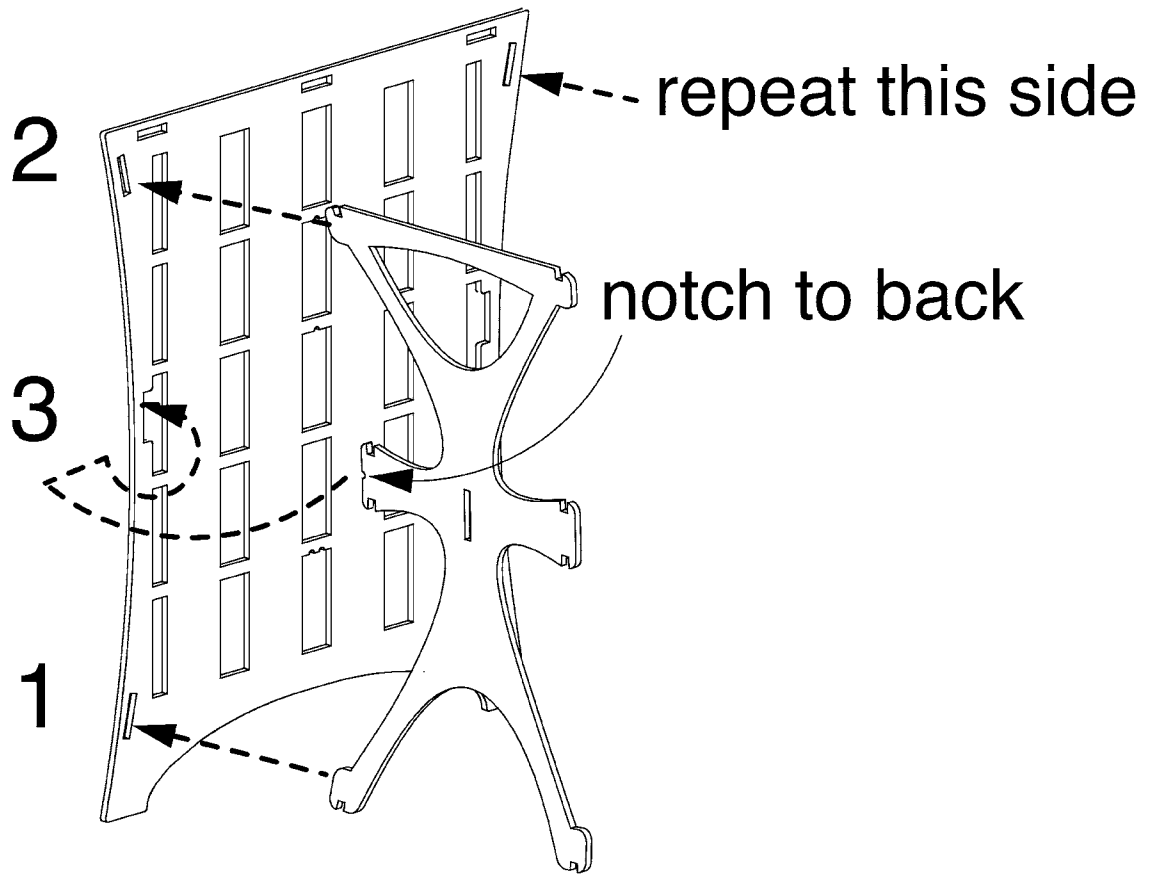
plydea®
seattle usa

REVIEW AND FOLLOW THESE INSTRUCTIONS!!!

WineHold Parts:

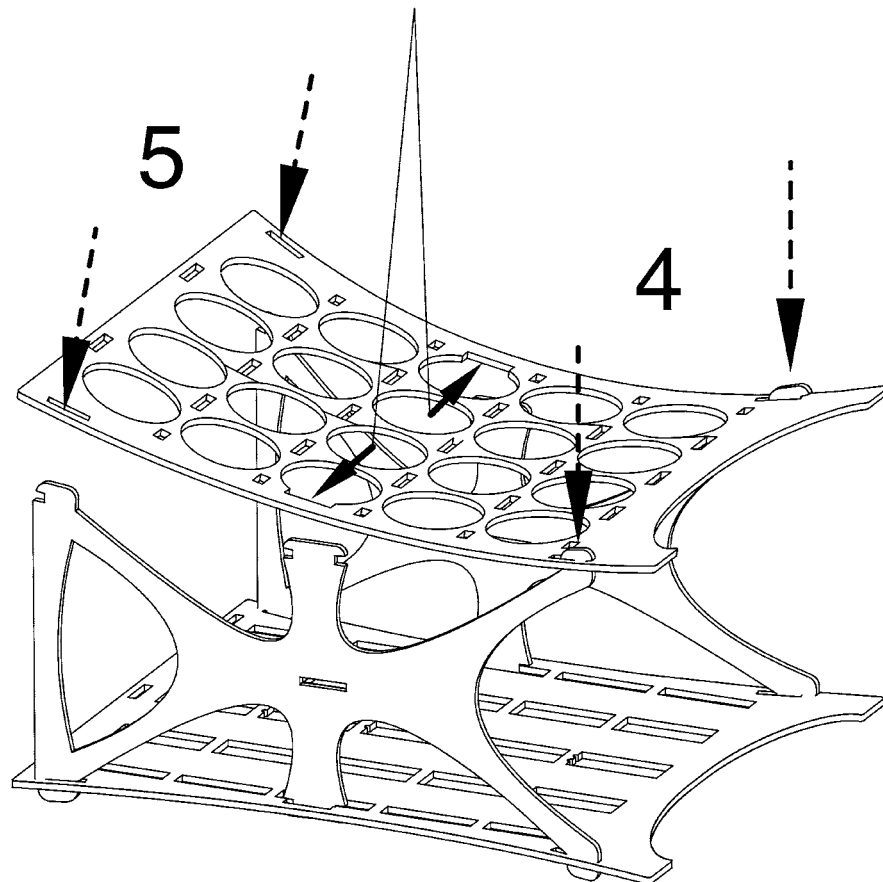


1-3

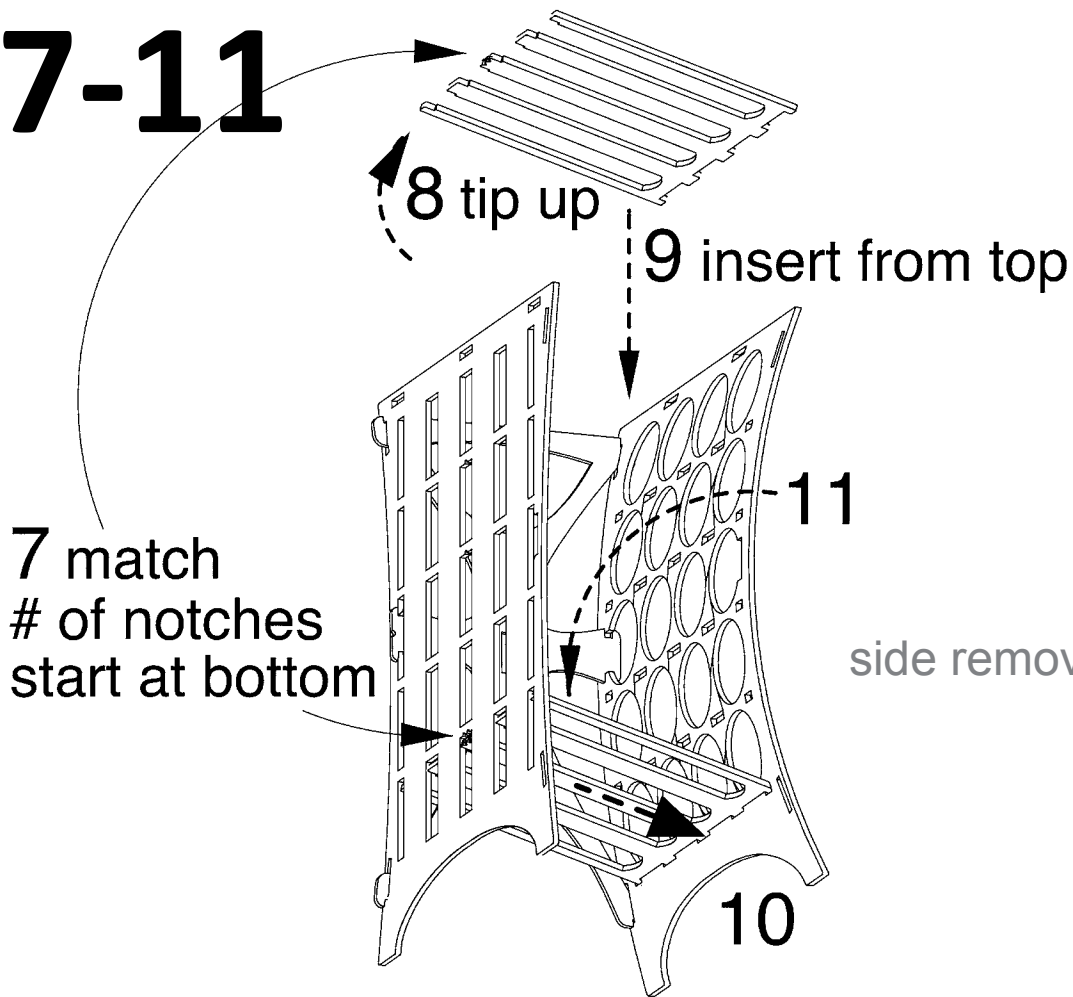


4-6

6 push down face & engage tabs



7-11



12-14

